



SMD PCB terminal block; 0.5 mm²; Pin spacing 3 mm; 3-pole; PUSH WIRE®; in tape-and-reel packaging

Item No.: 2059-303/998-403



SMD PCB terminal block; 0.5 mm²; Pin spacing 3 mm; 3-pole; PUSH WIRE®; in tape-and-reel packaging

Marking

RoHS ✓
Compliant

Business data

Supplier	WAGO
Item no.	2059-303/998-403
GTIN / EAN	4055143082693
Content	1
Order amount	1,750
Customer item number	

Notes

Item description: SMD terminal blocks with PUSH WIRE® connection technology Push-in termination of solid wires Easy conductor removal, e.g., via operating tool Just 2.7 mm high Group arrangement is possible without losing any poles Available in tape-and-reel packaging for automated assembly

Technical data

Miscellaneous

No. of poles	3
Pin spacing	3 mm (0.118 in)
Total number of connection points	3

Technical data	
Total number of potentials	3
Color	white
Ratings per	IEC/EN 60664-1
Rated voltage (III / 3) [V]	63 [V]
Rated impulse voltage (III / 3) [kV]	2.5 [kV]
Rated voltage (III/2) [V]	160 [V]
Rated impulse voltage (III / 2) [kV]	2.5 [kV]
Rated voltage (II / 2) [V]	320 [V]
Rated impulse voltage (II / 2) [kV]	2.5 [kV]
Rated current [A]	3 [A]
Legend for ratings	(III / 2) Overvoltage category III /
Number of connection objects	1
Number of levels	1
Connection technology	PUSH WIRE®
Number of connection points connector	1
Actuation type	Operating tool
Solid conductor	0.14 ... 0.34 mm ² / 26 ... 22 AWG
Strip length	4 ... 5.5 mm / 0.16 ... 0.22 Inch
Conductor entry angle to the PCB [°]	0 [°]
Solid conductor (2)	0.5 mm ² / 20 AWG
Strip length (2)	6 ... 7.5 mm / 0.24 ... 0.3 Inch
Note (conductor cross-section)	No reconnection of smaller conductor cross-sections
Solder pad dimensions [mm]	2.5 x 1.4 [mm]
Reel diameter of tape-and-reel packaging [mm]	330 [mm]
Tape width [mm]	16 [mm]
Material group	I
Insulating material	Polyphthalamide (PPA GF)
Flammability class per UL94	V0
Limit temperature range	-60 ... 105 C
Contact material	Copper alloy
Contact plating	tin-plated
Weight [g]	0.493 [g]
Width	8.9 mm / 0.35 Inch
Height	2.7 mm / 0.106 Inch

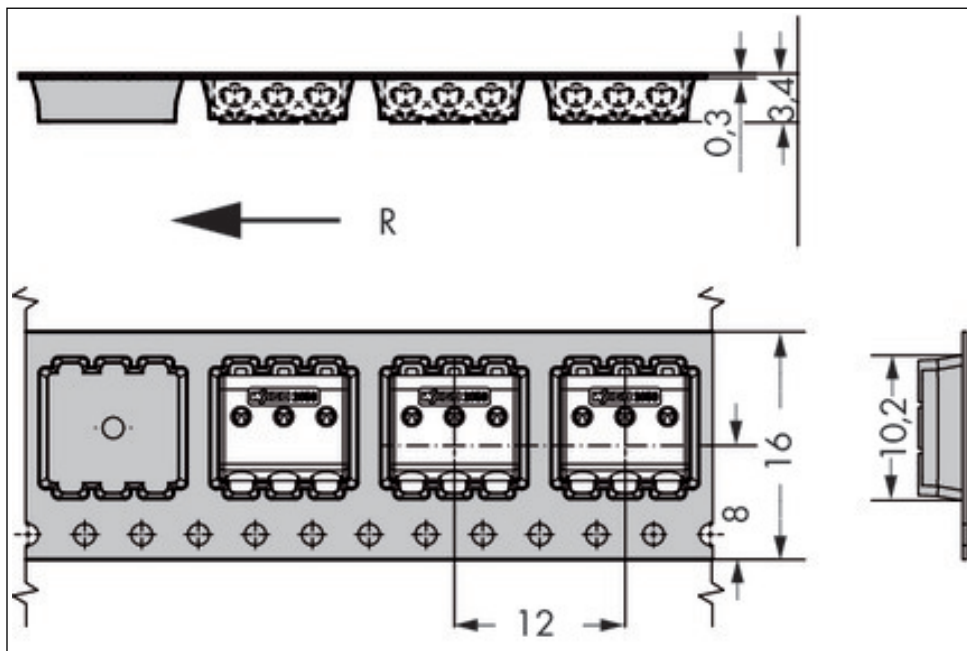
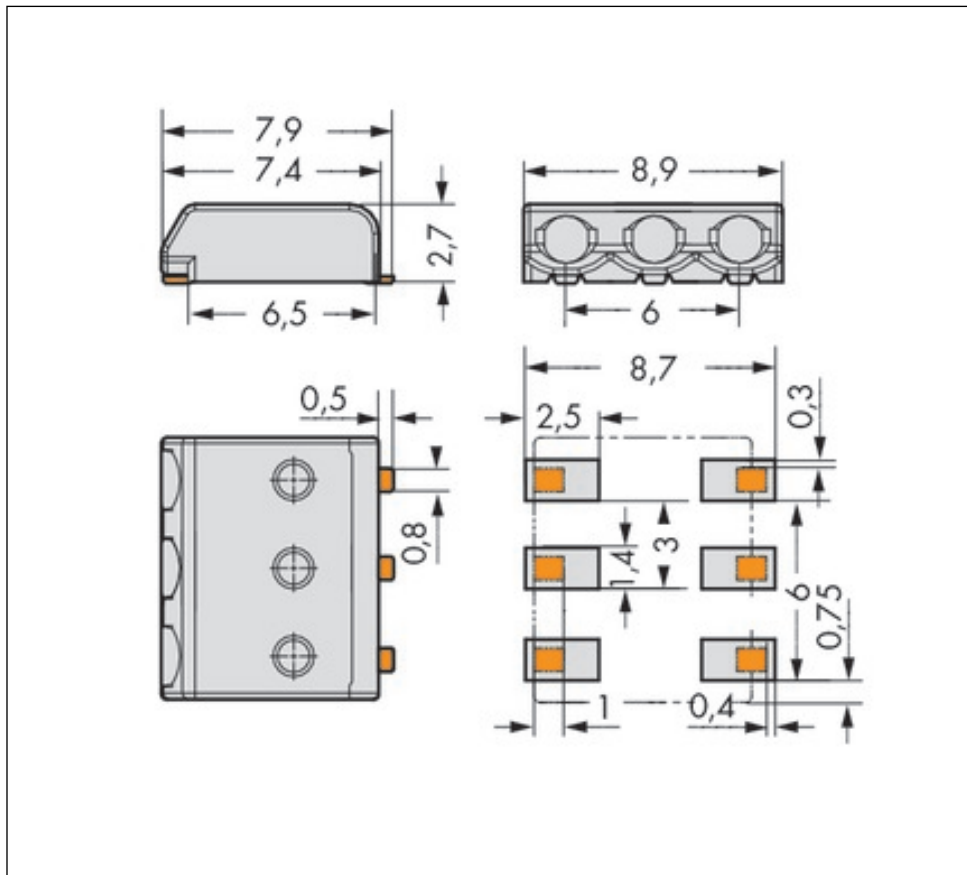
Printview: SMD PCB terminal block; 0.5 mm²; Pin spacing 3 mm; 3-pole; PUSH WIRE®; in tape-and-reel packaging - Item No.: 2059-303/998-403

Technical data

<i>Depth</i>	<i>7.9 mm / 0.311 Inch</i>
--------------	----------------------------

Images & drawings





Address

WAGO Kontakttechnik GmbH & Co. KG

Hansastr. 27

32423 Minden

Telefon: 0571/887-0

Fax: 0571/887-169

<http://www.wago.com>

© WAGO Kontakttechnik GmbH & Co. KG

Technische Änderungen und Irrtümer vorbehalten.