



Lighting connector; Standard version; Continuous service temperature 105°C

Item No.: 224-101



Lighting connector; Standard version; Continuous service temperature 105°C

Marking

RoHS ✓
Compliant

Business data

Supplier	WAGO
Item no.	224-101
GTIN / EAN	4044918583817
Content	1
Order amount	100
Customer item number	

Notes

Technical data

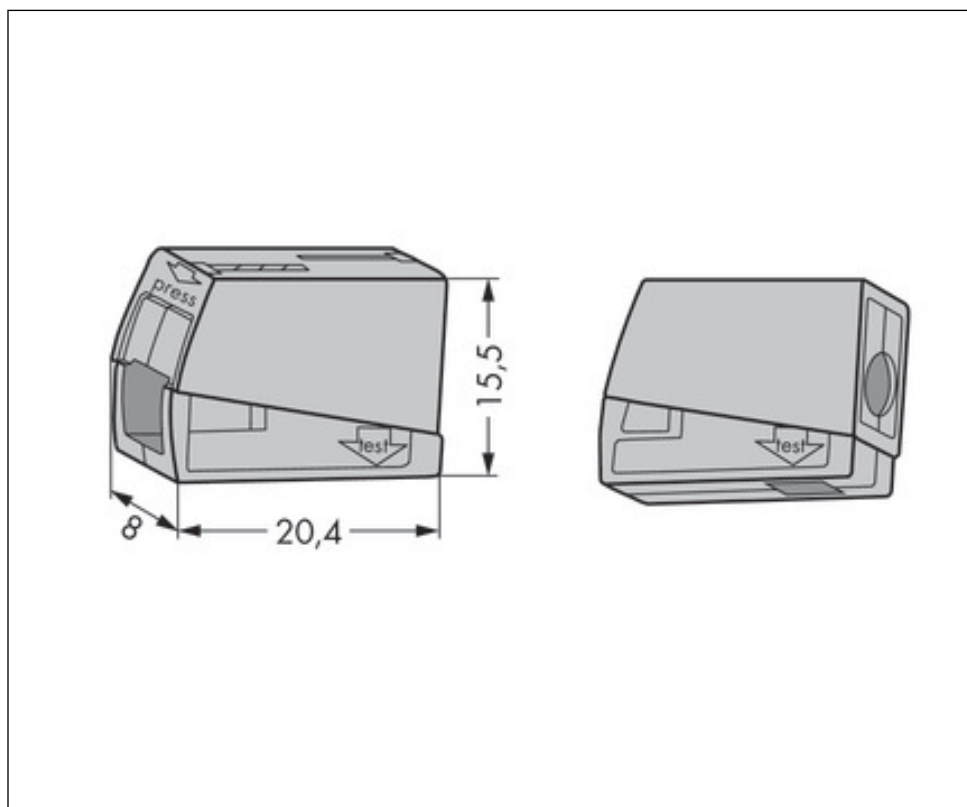
Miscellaneous

No. of poles	1
Total number of connection points	2
Total number of potentials	1
Color	gray
Rated voltage (II / 2) [V]	400 [V]
Rated impulse voltage (II / 2) [kV]	4 [kV]

Technical data	
<i>Rated current [A]</i>	<i>24 [A]</i>
<i>Connector (1)</i>	<i>Installation side:</i>
<i>Connection technology</i>	<i>PUSH WIRE®</i>
<i>Number of connection points connector</i>	<i>1</i>
<i>Actuation type</i>	<i>Push-in</i>
<i>Connectable conductor materials</i>	<i>Copper</i>
<i>Solid conductor</i>	<i>1 ... 2.5 mm² / 14 ... 12 AWG</i>
<i>Strip length</i>	<i>9 ... 11 mm / 0.35 ... 0.43 Inch</i>
<i>Connector (2)</i>	<i>Lighting side:</i>
<i>Connection technology 2</i>	<i>CAGE CLAMP®</i>
<i>Number of connection points connector (2)</i>	<i>1</i>
<i>Solid conductor (2)</i>	<i>0.5 ... 2.5 mm² / 20 ... 16 AWG</i>
<i>Fine-stranded conductor (2)</i>	<i>0.5 ... 2.5 mm² / 20 ... 16 AWG</i>
<i>Type of wiring</i>	<i>Side-entry wiring</i>
<i>Fire load [MJ]</i>	<i>0.041 [MJ]</i>
<i>Weight [g]</i>	<i>1.778 [g]</i>
<i>Width</i>	<i>8 mm / 0.315 Inch</i>
<i>Height</i>	<i>15.5 mm / 0.61 Inch</i>
<i>Depth</i>	<i>20.4 mm / 0.803 Inch</i>
<i>Safety information 1</i>	<i>In grounded power lines</i>

Images & drawings





Address

WAGO Kontakttechnik GmbH & Co. KG

Hansastr. 27

32423 Minden

Telefon: 0571/887-0

Fax: 0571/887-169

<http://www.wago.com>

© WAGO Kontakttechnik GmbH & Co. KG

Technische Änderungen und Irrtümer vorbehalten.