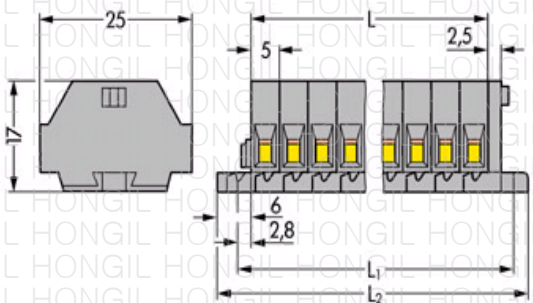
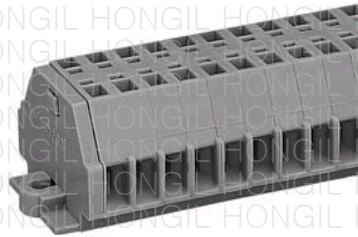
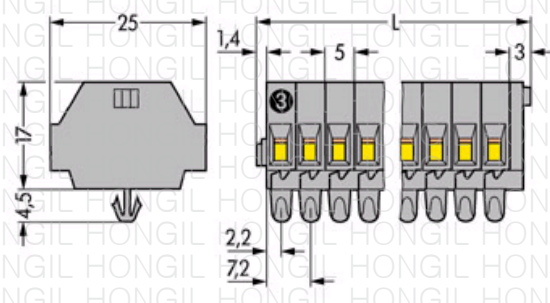


HONGIL PRODUCTS - 판넬 및 채널 타입 260 시리즈

Item no.: 260
 Product description: 2-CONDUCTOR TERMINAL STRIP; LATERAL MARKING; 10 POLE; WITH FIXING FLANGE; WITH MOUNTING FEET 209-123 FOR TS 35; SIDE-ENTRY



판넬 타입



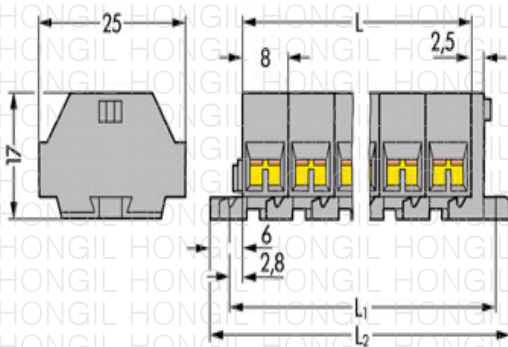
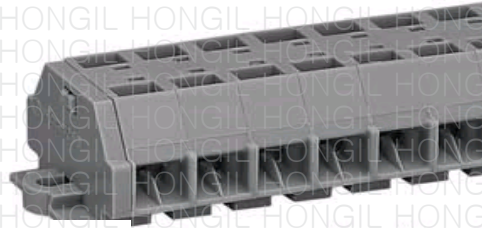
레일 타입

Packing unit 25 pieces

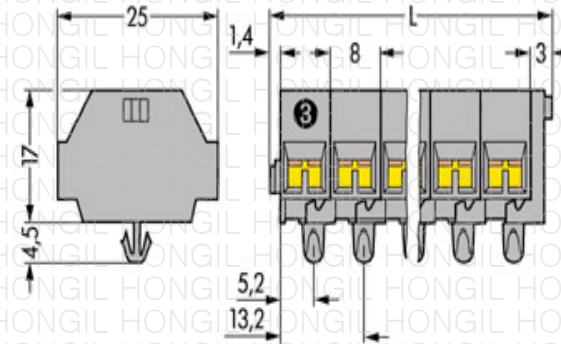
Product group	9 (Std Chassis Mt Blocks)
pole count	10
Cross section from [mm ²]	0.08 mm ²
Cross section to [mm ²]	1.5 mm ²
Cross section from [AWG]	28 AWG
Cross section to [AWG]	16 AWG
Connection method	CAGE CLAMP® CONNECTION
Number of strands	5
Measured voltage EN	400 V
Measured shock voltage	6 kV
Pollution degree	3
Current intensity EN	18 A
Weight	16.95 g
Color	gray
Wiring type	Side-entry
No. of connection Points	20
No. of potentials	10
Height	17 mm
Height	0.669 in
Width	64.5 mm
Width	2.539 in
Depth	25 mm

HONGIL PRODUCTS - 판넬 및 채널 타입 260 더블 시리즈

Item no.: 260-331.260-341
 Product description: 4-CONDUCTOR TERMINAL STRIP; LATERAL MARKING; 10 POLE; WITH FIXING FLANGE; WITH MOUNTING FEET 209-123 FOR TS 35; SIDE-ENTRY



판넬 타입



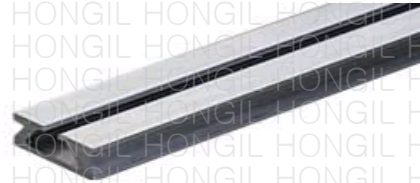
레일 타입

Packing unit 25 pieces

Product group	9 (Std Chassis Mt Blocks)
pole count	10
Cross section from [mm ²]	0.08 mm ²
Cross section to [mm ²]	1.5 mm ²
Cross section from [AWG]	28 AWG
Cross section to [AWG]	16 AWG
Connection method	CAGE CLAMP® CONNECTION
Number of strands	2
Measured voltage EN	400 V
Measured shock voltage	6 kV
Pollution degree	3
Current intensity EN	18 A
Weight	26.44 g
Color	gray
Wiring type	Side-entry
No. of connection Points	40
No. of potentials	10
Height	17 mm
Height	0.669 in
Width	94.5 mm
Width	3.72 in
Depth	25 mm

HONGIL PRODUCTS - 판넬 및 채널 타입 260 약세사리

Item no.: 260 약세사리
Product description: 4-CONDUCTOR TERMINAL STRIP; LATERAL MARKING; 10 POLE; WITH FIXING FLANGE; WITH MOUNTING FEET 209-123 FOR TS 35; SIDE-ENTRY



210-154 채널



260-361 END

판넬 타입



209-122 Stop-bar



260-371 END

레일 타입