



**Female connector; with locking levers; 4-pole; Pin spacing 3.5 mm / 0.138 in; 100% protected against mismatching; codable**

Item No.: 734-104/037-000



---

Female connector; with locking levers; 4-pole; Pin spacing 3.5 mm / 0.138 in; 100% protected against mismatching; codable

### Marking

RoHS ✓  
Compliant

### Business data

Supplier	WAGO
Item no.	734-104/037-000
GTIN / EAN	4044918494632
Content	1
Order amount	100
Customer item number	

### Notes

*Item description: Universal connection for all conductor types Easy cable pre-assembly and on-unit wiring via vertical and horizontal CAGE CLAMP® actuation Strain relief plates and housings for in-the-field assembly 100% protected against mismatching Coding option available*

### Technical data

#### Miscellaneous

No. of poles	4
Pin spacing	3.5 mm (0.138 in)

Printview: Female connector; with locking levers; 4-pole; Pin spacing 3.5 mm / 0.138 in; 100% protected against mismatching; codable - Item No.: 734-104/037-000

<b>Technical data</b>	
Total number of connection points	4
Total number of potentials	4
Color	light gray
Ratings per	IEC/EN 60664-1
Rated impulse voltage (III / 3) [kV]	2.5 [kV]
Rated voltage (III/2) [V]	160 [V]
Rated impulse voltage (III / 2) [kV]	2.5 [kV]
Rated voltage (II / 2) [V]	320 [V]
Rated impulse voltage (II / 2) [kV]	2.5 [kV]
Rated current [A]	10 [A]
Legend for ratings	(III / 2 ) Overvoltage category III /
Number of connection objects	1
Number of levels	1
Connection technology	CAGE CLAMP®
Number of connection points connector	1
Actuation type	Operating tool
Solid conductor	0.08 ... 1.5 mm <sup>2</sup> / 28 ... 14 AWG
Fine-stranded conductor	0.08 ... 1.5 mm <sup>2</sup> / 28 ... 14 AWG
Fine-stranded conductor with ferrule with plastic collar	0.25 ... 1.5 mm <sup>2</sup> / ...
Fine-stranded conductor with ferrule without plastic collar	0.25 ... 1.5 mm <sup>2</sup> / ...
Strip length	6 ... 7 mm / 0.24 ... 0.28 Inch
Material group	I
Insulating material	Polyamide 66 (PA 66)
Flammability class per UL94	V0
Limit temperature range	-60 ... 100 C
Clamping spring material	Chrome-nickel spring steel (CrNi)
Contact material	Copper alloy
Contact plating	tin-plated
Fire load [MJ]	0.069 [MJ]
Weight [g]	3.679 [g]
Width	25.8 mm / 1.016 Inch
Height	13.4 mm / 0.528 Inch
Depth	18.6 mm / 0.732 Inch

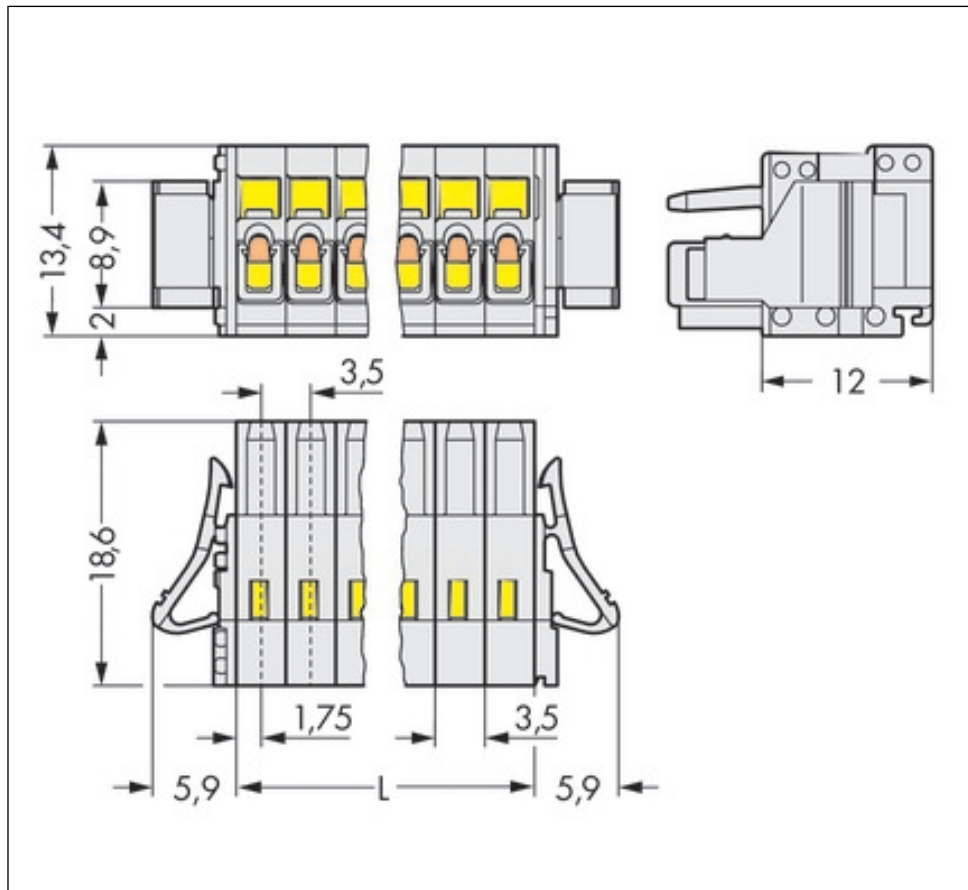
Printview: Female connector; with locking levers; 4-pole; Pin spacing 3.5 mm / 0.138 in; 100% protected against mismatching; codable - Item No.: 734-104/037-000

---

### Images & drawings



Printview: Female connector; with locking levers; 4-pole; Pin spacing 3.5 mm / 0.138 in; 100% protected against mismatching; codable - Item No.: 734-104/037-000



#### Address

WAGO Kontakttechnik GmbH & Co. KG

Hansastr. 27

32423 Minden

Telefon: 0571/887-0

Fax: 0571/887-169

<http://www.wago.com>

© WAGO Kontakttechnik GmbH & Co. KG

Technische Änderungen und Irrtümer vorbehalten.