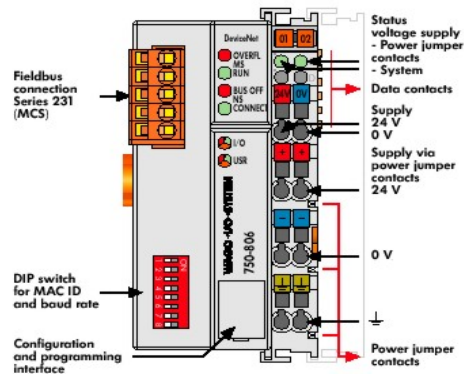


Item no.: 750-806
 Product description: DEVICENET PROGRAMMABLE FIELDBUS -CONTROLLER
 125-500 kBaud DIGITAL AND ANALOG SIGNALS CAGE
 CLAMP@CONNECTION



Packing unit 1 piece

Product group	15 (I/O System)
Max. no. of nodes	64 with scanner
Max. no. Of I/O points	ca. 6000 (depends on Master)
Transmission medium	shielded Cu- cabletrunk line: 2 x 0.82mm ² + 2 x 1.7 mm ² drop line: 2 x 0.2mm ² + 2 x 0.32 mm ²
Total length	100 m ... 500 m (depends on the baud rate / on the cable)
Baud rate	125 kBaud, 250 kBaud, 500 kBaud
Buscoupler connection	5-POLE MALE CONNECTOR, SERIES 231 (MCS); CONNECTOR 231-305/010-000/050-000 IS INCLUDED
Programming	WAGO-I/O-PRO 32
IEC 61131-3	AWL, KOP, PUP, ST, AS
Conformity marking	CE
Max. no. of I/O modules	64
Max. fieldbus input image (Byte)	1024 Byte
Max. fieldbus output image (Byte)	1024 Byte
Input variables	512 Byte
Output variables	512 Byte
Program memory	128 kByte
Data memory	64 kByte
Non-volatile memory (retain)	8 kByte
Cycle time	< 3 ms for 1000 statements / 256 dig. I/O's
Configuration	via PC or PLC
DeviceNet characteristic	POLLED I/O MESSAGE CONNECTION; STROBED I/O MESSAGE CONNECTION; CHANGE OF STATE / CYCLIC MESSAGE CONNECTION; UCMM; DEVICENET MASTER CAN BE PROGRAMMED USING FUNCTION BLOCKS
Voltage supply	DC 24 V (-15% / + 20%)



Current consumption using a power supply	< 500 mA / 24 V
Power consumption via CAN interface	< 120 mA / 11 V
Efficiency of the power supply	87 %
Internal current consumption	350 mA
Total current for the I/O modules	1650 mA
Isolation	500 V system / supply
Voltage via power jumper contacts (max)	DC 24 V (-15% / + 20%)
Current via power jumper contacts (max)	DC 10 A
Operating temperature	0 °C ... + 55 °C
Storage temperature	-25 °C ... +85 °C
Relative air humidity	95 %
Vibration resistance	acc. IEC 60068-2-6
Shock resistance	acc. IEC 60068-2-27
Degree of protection	IP 20
EMC immunity to interference	acc. EN 50082-2 (96)
EMC emission of interference	per EN 50081-1 (93)
Approvals	ATEX
Cross section from [mm ²]	0.08 mm ²
Cross section to [mm ²]	2.5 mm ²
Cross section from [AWG]	28 AWG
Cross section to [AWG]	14 AWG
Connection method	CAGE CLAMP® CONNECTION



Weight	200 g
Color	light gray
Height	65 mm
Height	2.56 in
Width	51 mm
Width	2.008 in
Depth	100 mm
Depth	3.937 in
Strip length from	8 mm
Strip length to	9 mm
Strip length	0.33 in
Manuals	available as download on the Internet under



Item no.	Admission office	Approval no.	Voltage [V]	Current [A]	Cross section [mm ²]
750-806	ABS	03-HG374860/2-PDA			
750-806	ABS	ES 578983-X			
750-806	BSH	Bescheinigung Nr. 467			
750-806	BV	13453/B0 BV			
750-806	DNV	A-10191			
750-806	GL	26 898 - 05 HH			
750-806	IECEX	IECEX PTB 07.0064X			
750-806	KR	HMB05880-EL005			
750-806	LR	02/20026 (E2)			
750-806	NK	TA06190M			
750-806	PRS	TE/1720/880590/08			
750-806	Rina	ELE153207CS001			
750-806	UL	02 ATEX 132273 X			
750-806	UL	E175199 Sec.1			
750-806	UL	E198726 Sec.1			
750-806	UL DEMKO A/S	DEMKO 08 ATEX 142851 X			

Sorting criteria: admission office - approval number

© WAGO Kontakttechnik GmbH & Co. KG

Specifications are subject to changes and errors may be expected