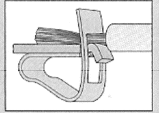
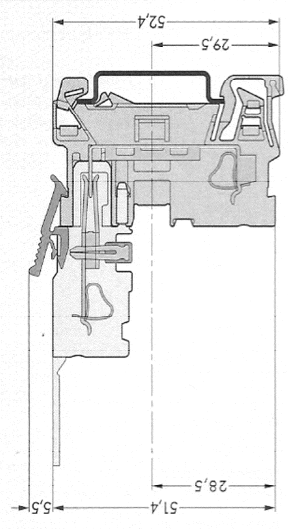


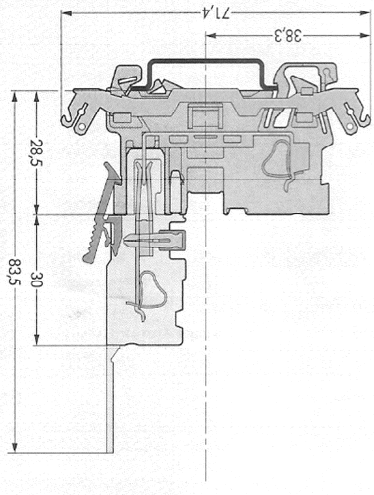
**Types of Assembly
Conductor/1-Pin Receptacle Terminal Blocks
and 1-/2-Conductor Female Plugs**



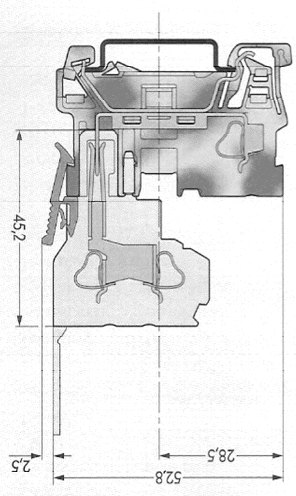
9 13



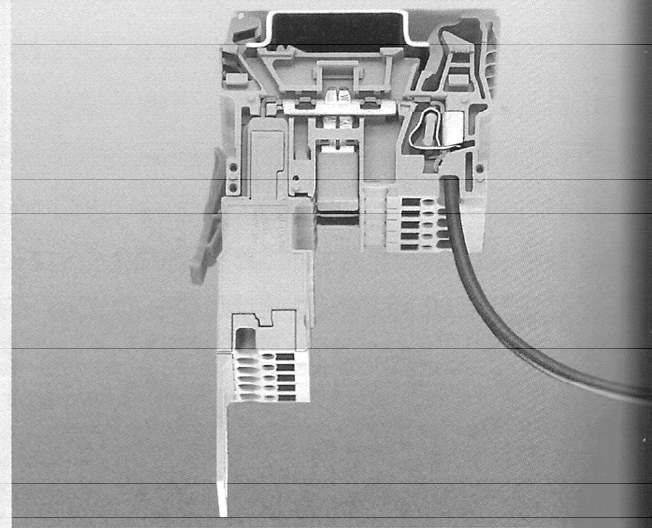
Receptacle terminal block



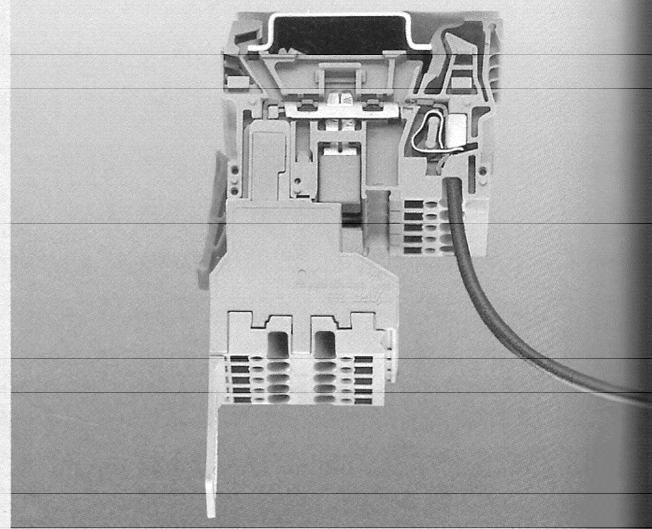
Receptacle terminal block with shield (screen) contact



Ground (earth) receptacle terminal block



Conductor female plug terminal blocks with jumper contact systems, series 280 and 780, and testing possibility with test plug adapter 280-4..



Conductor female plug terminal blocks only with adjacent jumpers and alternate jumpers, series 280