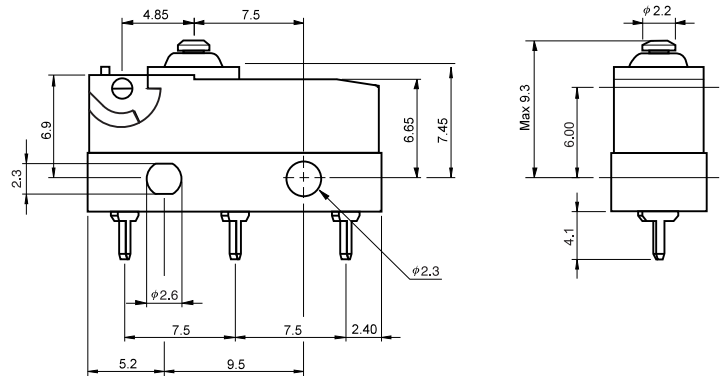


## ● SERIES SW-05

■ **DIMENSIONS** (Unless otherwise specified, a tolerance of  $\pm 0.4\text{mm}$  applies to all dimensions.)



## ■ SPECIFICATIONS

- Operating frequency (mechanical) ..... 120 operations/min  
(electrical) ..... 10~30 operations/min
- Contact resistance (initial) ..... 100m $\Omega$  Max.
- Insulation resistance (at 500VDC) ..... 100M $\Omega$  Min.
- Dielectric strength(initial) ..... AC1,000V RMS(50-60HZ)
- Storage humidity ..... 85% RH Max.
- Storage temperature ..... -25°C to +120°C
- Service life  
Mechanical..... 2,000,000 operations Min.  
Electrical..... 6,000~50,000 operations (depend on type)

## ■ CONTACT CONFIGURATION



## ■ APPLICATION

Telephone, air conditioner, computer, humidifier, alarm, time recorder, mixer, & chopper, solder gun, neon phone, fax machine, joystick, water pump, gas detector, pencil sharpener, money sorter, food processor, electric knife, toy car, juice maker, light, electric steak pan.

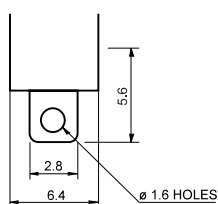
## ■ RATINGS

SW-05 5A 125VAC(5A 250VAC)  
6A 125VAC(6A 250VAC)

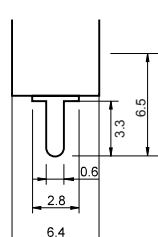
## ■ TERMINAL TYPES

(The thickness of each terminal is 0.5mm)

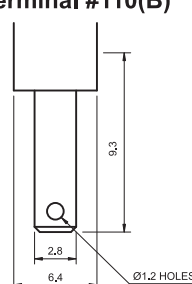
### Solder terminal (A)



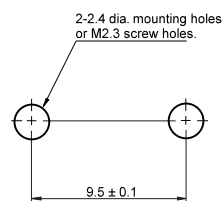
### PCB terminal (P)



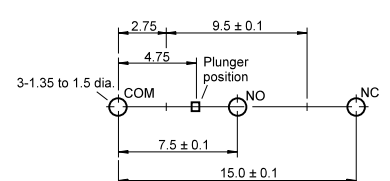
### Quick connect Terminal #110(B)



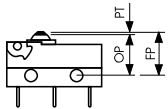
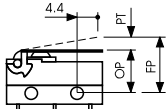
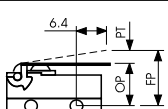
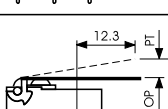
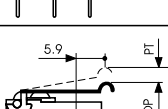
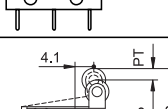
## ■ Mounting holes



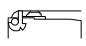
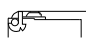
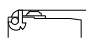
## ■ Mounting holes for PCB terminal



## ■ OPERATING CHARACTERISTICS

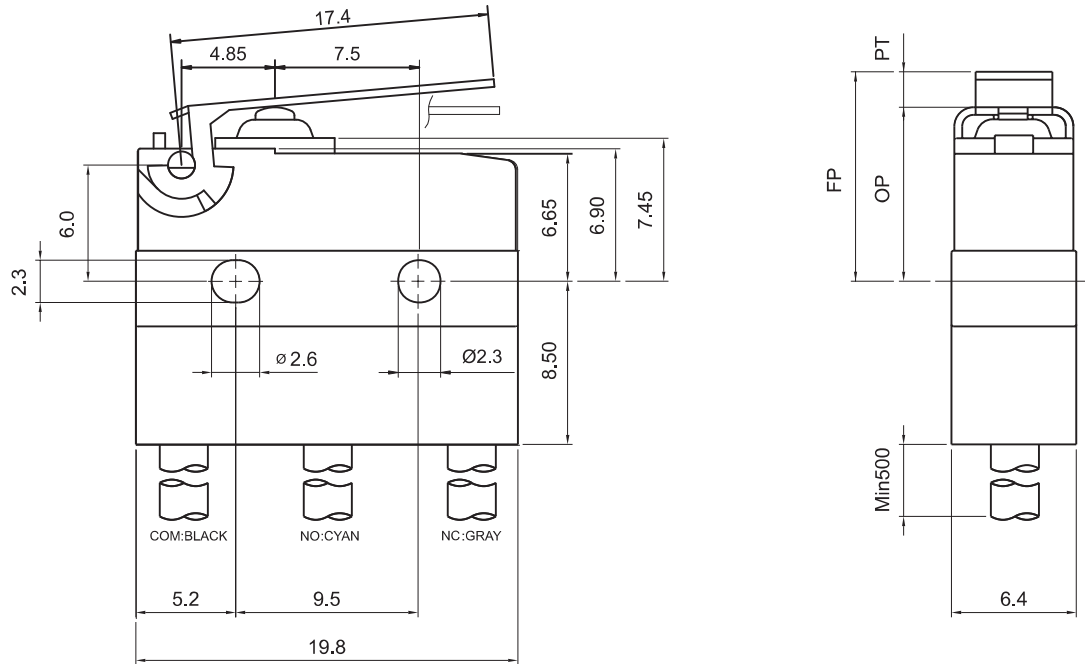
ACTUATOR TYPES	PART SUFFIX	OF Max. (g)	OP (mm)	PT Max. (mm)	OT Min. (mm)	MD Max. (mm)	FP Max. (mm)	RF Min. (g)
	-00A0	203	8.4 ±0.3	1.2	0.6	0.2	9.3	50
	-01A0	82	8.8 ±1.1	4.3	0.9	0.6	12.0	16
	-02A0	66	8.8 ±1.2	4.8	1.0	0.7	12.4	13
	-03A0	54	8.8 ±1.6	6.3	1.6	0.9	13.5	11
	-04A0	68	10.7 ±1.2	4.6	1.0	0.65	14.1	14
	-05A0	72	14.5 ±1.1	4.3	0.9	0.6	17.7	15

## ■ ORDERING INFORMATION (DUSTPROOF MICRO SWITCH)

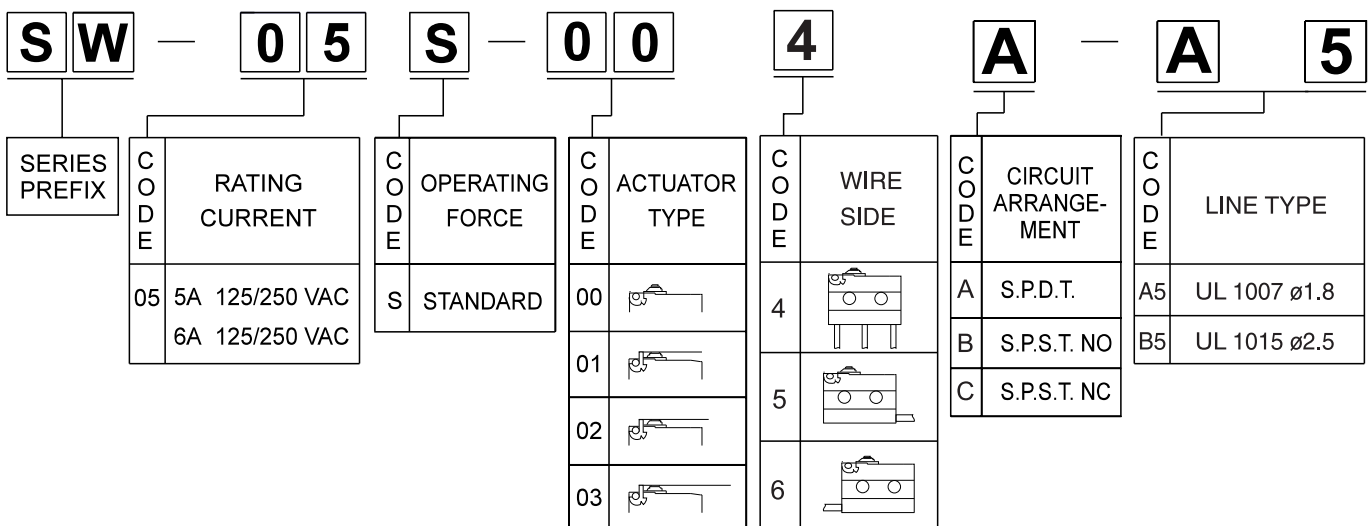
<b>S</b>	<b>W</b>	—	<b>0</b>	<b>5</b>	<b>S</b>	—	<b>0</b>	<b>0</b>	<b>A</b>	<b>0</b>	
SERIES PREFIX	CODE	RATING CURRENT	CODE	OPERATING FORCE	CODE	ACTUATOR TYPE	CODE	TERMINAL TYPE	CODE	CIRCUIT ARRANGEMENT	
											05
						01		P	PCB TERMINAL (P)	A	S.P.D.T.
						02					
						03		B	QUICK CONNECT TERMINAL #110(B)		

## ● SERIES SW-05 (IP67)

■ **DIMENSIONS** (Unless otherwise specified, a tolerance of  $\pm 0.4\text{mm}$  applies to all dimensions.)

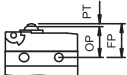
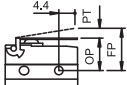
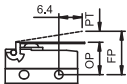
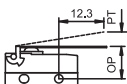
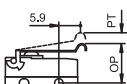
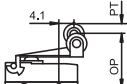


## ■ ORDERING INFORMATION



S.P.D.T. is only available for line type code A5.

■ OPERATING CHARACTERISTICS

SWITCH TYPES	PART SUFFIX	OF Max. (g)	OP (mm)	PT Max. (mm)	OT Min. (mm)	MD Max. (mm)	FP Max. (mm)	RF Min. (g)
	-00 □□	300	8.4 ±0.3	1.2	0.6	0.2	9.3	70
	-01 □□	100	8.8 ±1.1	4.3	0.9	0.6	12.0	20
	-02 □□	90	8.8 ±1.2	4.8	1.0	0.7	12.4	18
	-03 □□	70	8.8 ±1.6	6.3	1.6	0.9	13.5	14
	-04 □□	95	10.7 ±1.2	4.6	1.0	0.65	14.1	19
	-05 □□	100	14.5 ±1.1	4.3	0.9	0.6	17.7	20

## SW SERIES

