

UI

Features

- Mini Power Relay
- Wide applications
- 2, 3, 4 Contact arrangements
- Washable type available
- PC board type & Plug-in type

Typical Applications

- Refrigerators
- Building control equipments
- Office machines
- Vending machines

Ordering Information

<u> </u> Type & Contact Rating	<u> </u> Contact Arrangement	<u> </u> Terminal style	<u> </u> Coil Voltage	<u> </u> Coil input	<u> </u> Construction
UI	2 : 2c 3 : 3c 4 : 4c	P : P.C. Board S : Plug-in	6, 12, 24, 48, 100 110, 220	D : DC A : AC	Nil : Standard type

Specification

1. Coil Ratings

Rated Voltage(V)	DC					AC					
	6	12	24	48	100	6	12	24	48	110	220
Rated Current(mA)	150	75	37	18.5	9.1	183	95	56	26	11	6.8
Resistance(Ω)	40	160	650	2,600	11,000	-	-	-	-	-	-
Max. Pick-up Voltage	Max. 80% of rated voltage										
Min. Drop-out Voltage	Min. 10% of rated voltage					Min. 30% of rated voltage					
Max. Allowable Voltage	6.6	13.23	26.4	52.8	110	6.6	13.2	26.4	52.8	121	242
Power Consumption	Approx. 0.9W					Approx. 1.2VA					

2. Contact Ratings

Arrangement		UI-2(2c), UI-3(3c)	UI-4(4c)
Material		Ag Alloy	
Resistance (initial Value)		50M Ω max.	
Rated Load	R Load (cos ϕ = 1)	5A 240VAC, 5A 24VDC	3A 240VAC, 3A 24VDC
	L Load (cos ϕ = 0.4)	2A 240VAC, 2A 24VDC	0.8A 240VAC, 1.5A 24VDC
Carry current (Resistive)		Ag Alloy	Ag Alloy(Au plating)
Max. switching voltage (Resistive)		250VDC, 120VDC	
Max. switching Current (Resistive)		5A	3A
Max. switching Power	R Load (cos ϕ = 1)	1,200VA, 120W	720VA, 72W
	L Load (cos ϕ = 0.4)	480VA, 48W	192VA, 36W
Min. permissible load		100mA, 5VDC	

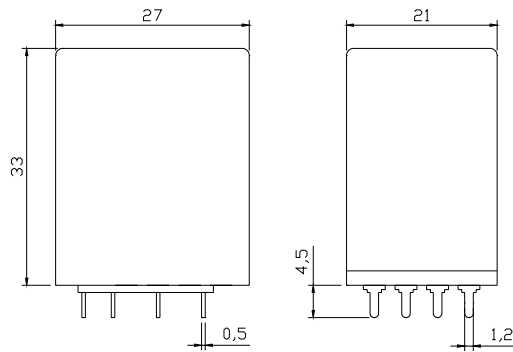
3. Characteristics

Max. Operate Time		25msec
Max. Release Time		25msec
Breakdown Voltage	Open contacts	1,000VAC, 60Hz
	Coil and contact	1,500VAC, 60Hz
Insulation Resistance		More than 100M Ω at 500VDC
Shock Resistance	Destructive	100G min.
	Malfunction	20G min.
Ambient Temperature		-40 $^{\circ}$ C ~ 50 $^{\circ}$ C
Max. Operating Frequency		1,800 Operations/hour
Mechanical Life Expectancy		10,000,000 Operations/hour
Electrical Life Expectancy		Over 500,000(UI-2, UI-3) Over 200,000(UI-4)
Weight		Approx.. 33g

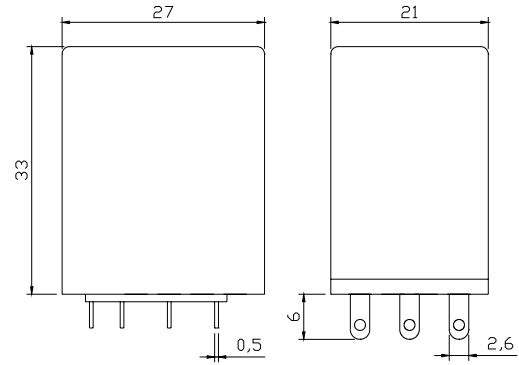
DIMENSIONS

1. Out line (mm)

Pin type

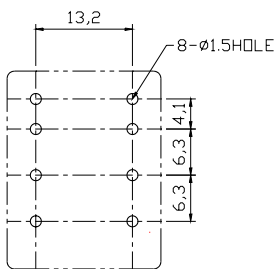


Plug-in type

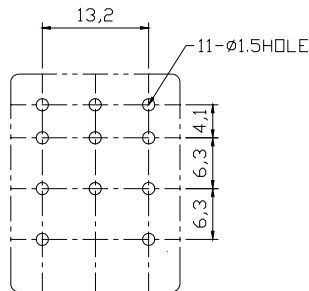


2. P.C.B Pattern

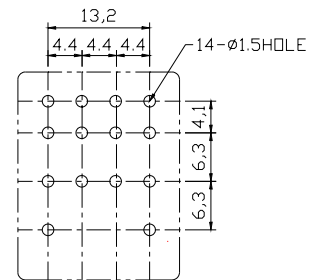
UI-2



UI-3

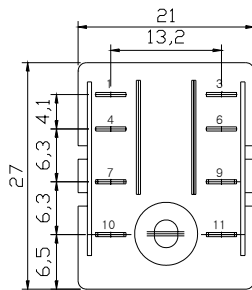


UI-4

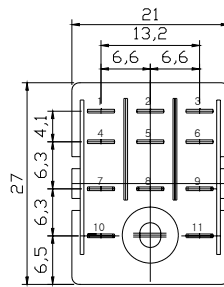


3. Bottom view

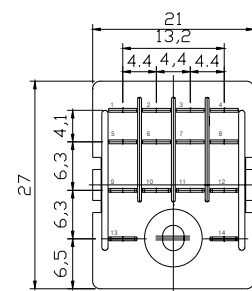
UI-2



UI-3

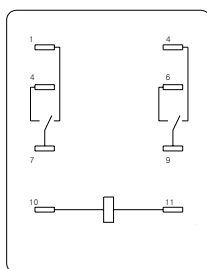


UI-4

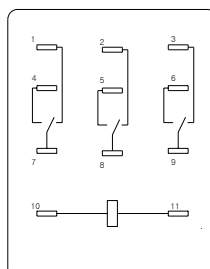


4. Schematic

UI-2



UI-3



UI-4

